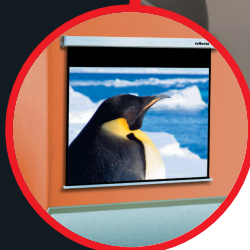
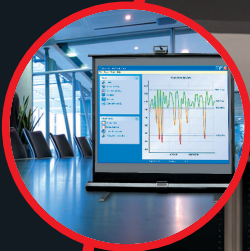


Projection Screens

reflecta®



The right projection
screen for your
specific purpose





Aluminum Frame QuickSet

The new, professional and mobile reflecta Quick-Set Aluminium Screen for all kind of Projection (Slide-, Video- or Dataprojection) – Ideal for Events! The QuickSet Screen ensures quick assembling or disassembly. The high quality fabric with reinforced borders is tightened onto the frame with push-buttons and available for Front- or Rearprojection.

The elastic fabric is tightened onto the frame and enables a flush screen surface with black borders for exact Images. Supplied with a very sturdy carrying box with transport wheels.

Product details:

- Complete System with Frontprojection Fabric
- Foldable System for AluminiumFrame
- Easy and Quick Assembling
- High Quality Fabric with reinforced borders and push-buttons
- Excellent Price-/Performance Ratio
- Mobile Use for Events
- Sturdy carrying box with transport wheels



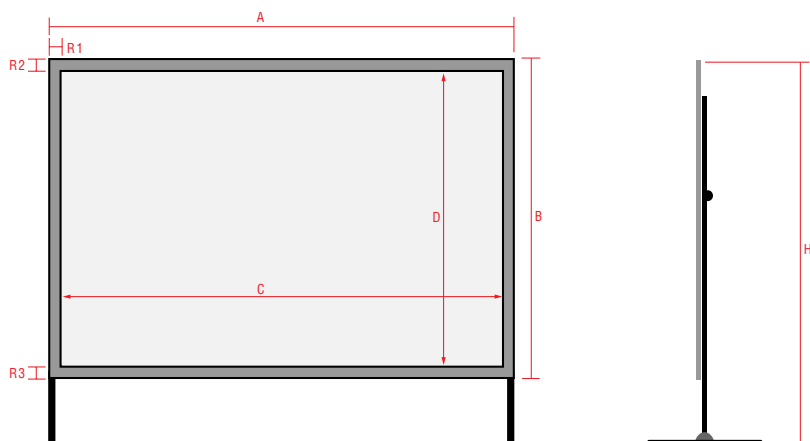
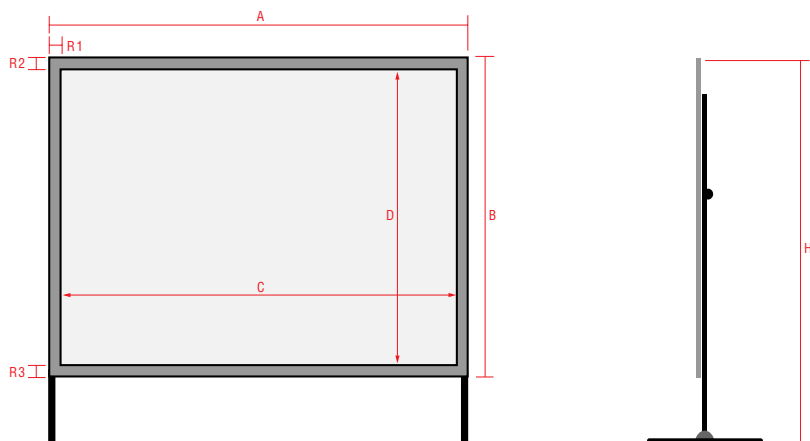
Screen is attached with push buttons

Aluminum frame projection screen Quick Set – Technical data (all dimensions in cm)

Art.No.	Type	Fabric	Format	A	B	C	D	R1	R2	R3	H max.	Weight
86600	QuickSet FP	UltraLux mobil FP	4:3	262	201	244	183	9	9	9	296	19 kg
86601	QuickSet FP	UltraLux mobil FP	4:3	325	249	305	229	10	10	10	359	22 kg
86602	QuickSet FP	UltraLux mobil FP	4:3	386	294	366	274	10	10	10	415	25 kg
86603	QuickSet FP	UltraLux mobil FP	4:3	423	325	405	305	9	10	10	431	28 kg
86604	QuickSet FP	UltraLux mobil FP	4:3	530	403	508	381	11	11	11	551	32 kg
86610	QuickSet FP	UltraLux mobil FP	16:9	287	170	266	149	10	10	10	377	27 kg
86611	QuickSet FP	UltraLux mobil FP	16:9	345	203	325	183	10	10	10	394	32 kg
86612	QuickSet FP	UltraLux mobil FP	16:9	390	229	370	208	10	10	10	456	35 kg
86613	QuickSet FP	UltraLux mobil FP	16:9	423	247	403	227	10	10	10	455	36 kg
86614	QuickSet FP	UltraLux mobil FP	16:9	503	284	487	274	12	12	12	475	54 kg

optional

Art.No.	Type	Fabric	Format	Fabric weight
86650	Single Rearprojection fabric for 86600	UltraLux mobil Rearprojection	4:3	340 g/m ²
86651	Single Rearprojection fabric for 86601	UltraLux mobil Rearprojection	4:3	340 g/m ²
86652	Single Rearprojection fabric for 86602	UltraLux mobil Rearprojection	4:3	340 g/m ²
86653	Single Rearprojection fabric for 86603	UltraLux mobil Rearprojection	4:3	340 g/m ²
86654	Single Rearprojection fabric for 86604	UltraLux mobil Rearprojection	4:3	340 g/m ²
86660	Single Rearprojection fabric for 86610	Ultralux Mobil Rearprojection	16:9	340 g/m ²
86661	Single Rearprojection fabric for 86611	Ultralux Mobil Rearprojection	16:9	340 g/m ²
86662	Single Rearprojection fabric for 86612	Ultralux Mobil Rearprojection	16:9	340 g/m ²
86663	Single Rearprojection fabric for 86613	Ultralux Mobil Rearprojection	16:9	340 g/m ²
86664	Single Rearprojection fabric for 86614	Ultralux Mobil Rearprojection	16:9	340 g/m ²



Other systems, sizes and formats on request.



There are detailed catalogues of our other products available. Ask for them – we will gladly send them to you.

- Projector and TV-Mounts
- Presentation technique
- Film and slide scanners
- Video lights



As part of our continued efforts to improve the quality of our products, we reserve the right to change our products without notification.
Art.-No. 72208, © reflecta Germany / Version 09/16

reflecta®

reflecta GmbH
Merkurstrasse 8
D-72184 Eutingen / Germany
Tel.: +49 (0)74 57/94 65 60
mail@reflecta.de
www.reflecta.de